

TECHNICAL DATA SHEET

BASIC FEATURES

DIMENSIONS 200x140xH.71 cm
ADJUSTABLE FEET +/- 2 cm

2 PEOPLE

WATER CAPACITY 500 Lt

WHIRPOOL JETS
10 SMALL
08 MEDIUM
02 BIG

STRUCTURE WEIGHT 130 KG

MINIMUM FLOOR RESISTANCE 200 Kg/m²

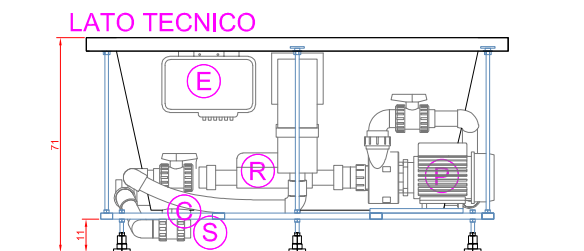
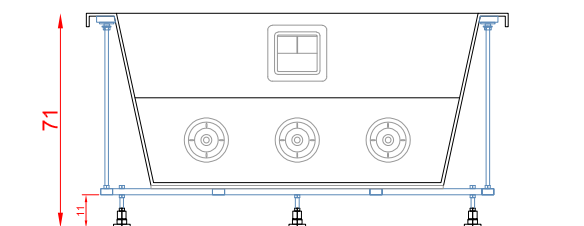
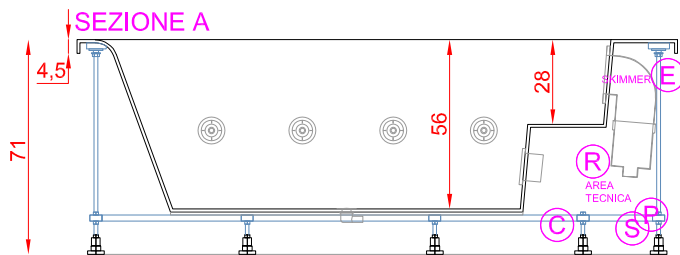
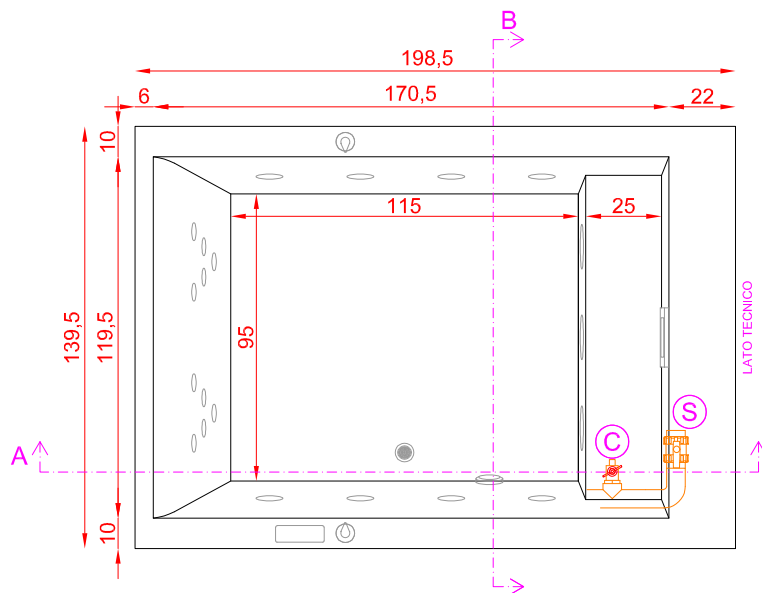
ELECTRICAL CHARACTERISTICS

VOLTAGE 230V
TENSION 50Hz
HEATER POWER 3 Kw

MECHANICAL CHARACTERISTICS

PUMP POWER 2.0-2.5 Hp
2 SPEEDS

FLOW RATE 750 L/min



- S - WATER DRAIN
- C - WATER LOAD
- E - ELECTRONICS
- R - HEATER
- P - PUMP

