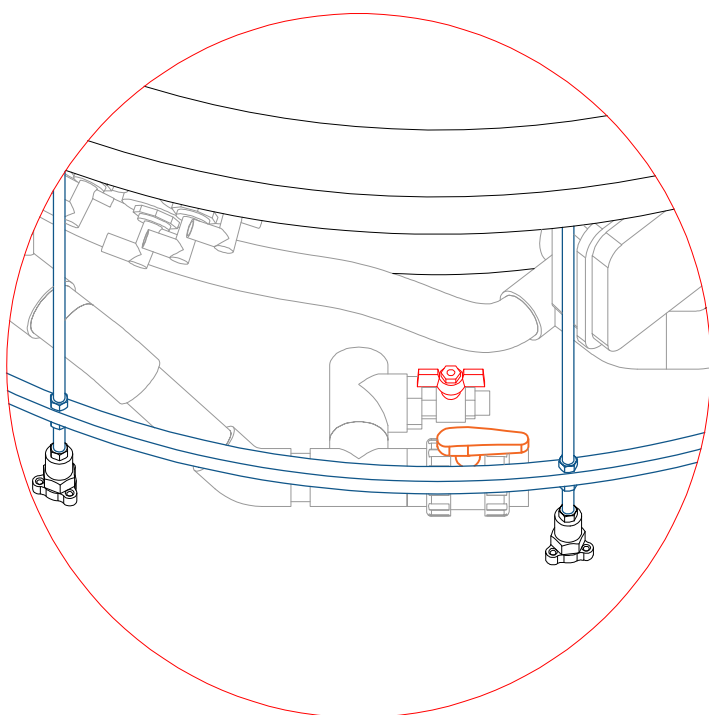
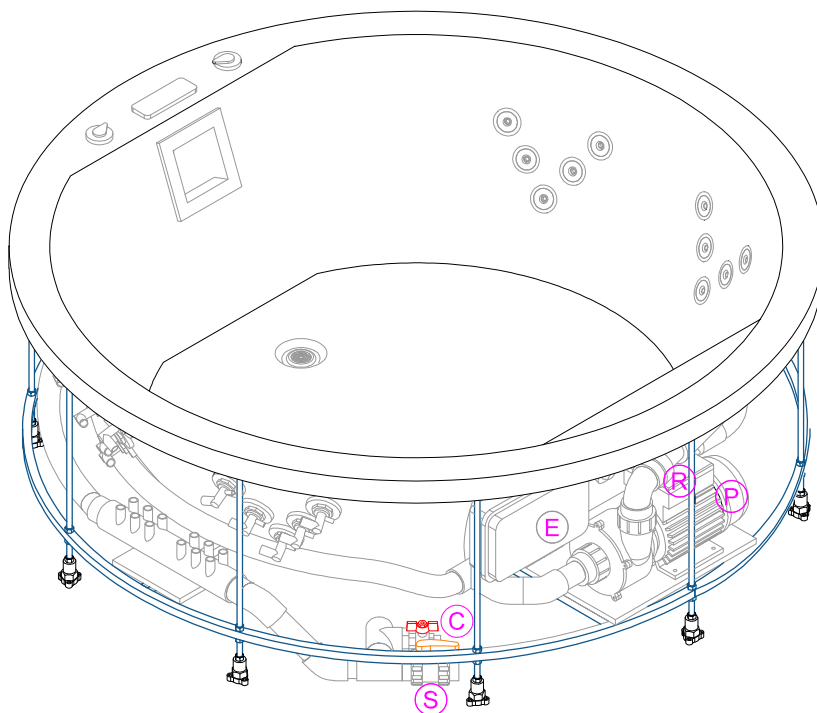


INSTALLATION INSTRUCTIONS

Keep free surface around the product according to the drawing below, so that it can be accessed for any technical inspection.
on the electro-mechanical equipment side, required at least 70 cm of free surface
free surface on the other side, should be at least 50 cm.
if you installed the product indoors adequate ventilation is required



FILLING AND DISCHARGING WATER CONNECTIONS

C - LOAD

MANUAL OPTION:

Fill valve: to fill the spa with water, simply connect to the ball valve, with full section pipe, 1" with central water supply, then open the valve and under observation fill the spa until desired correct operating level and safe (in the center of the skimmer).

AUTO-FILLED OPTION:

Filling valve to which the automatic filling solenoid valve is connected to which you must connect with a 1" pipe.
You need a second power line with 2x1 cable

S - EXHAUST

Drain valve: to drain the water from the Spa, just connect to the ball valve, high pressure PN16 Bar, with ø50mm pipe, to your sewer system.

ELECTRICAL CONNECTIONS:

TUB:

n°1 power line of 3 KW 230Vac with 3x2.5 mm² cable connected to a dedicated 16 Amp safety magneto-thermal switch.

AUTOMATIC FILLING (OPTIONAL)

N°1 power line (separate from that of the tub) of 35 W 230Vac with 2x1 mm² cable connected to a dedicated 16 Amp safety magneto-thermal switch