

TECHNICAL DATA SHEET

BASIC FEATURES

DIMENSIONS 185x120xH.65 cm
ADJUSTABLE FEET +/- 2 cm

2 PEOPLE

WATER CAPACITY 360 Lt

WHIRPOOL JETS
10 SMALL
6 MEDIUM

STRUCTURE WEIGHT 90 KG

MINIMUM FLOOR RESISTANCE 210 Kg/m²

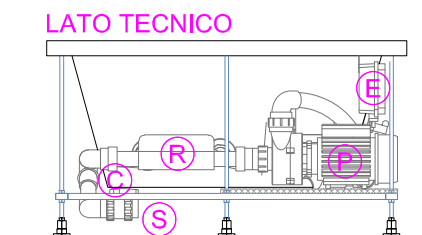
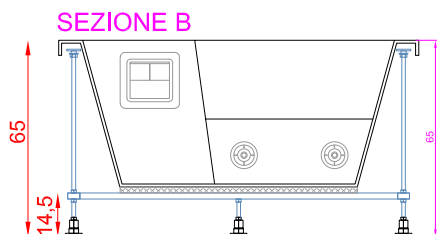
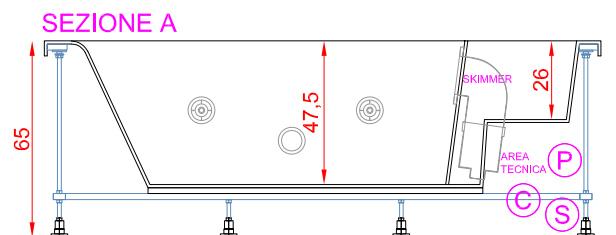
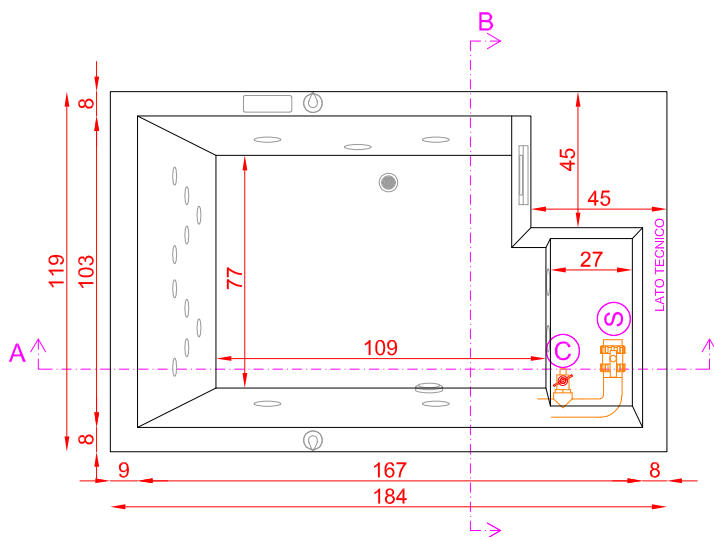
ELECTRICAL CHARACTERISTICS

VOLTAGE 230V
TENSION 50Hz
HEATER POWER 3 Kw

MECHANICAL CHARACTERISTICS

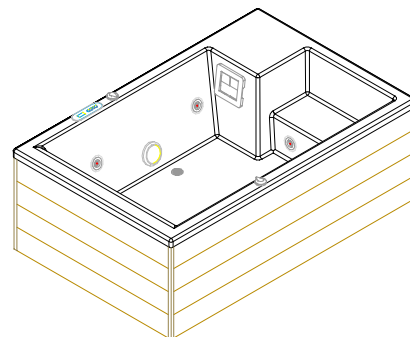
PUMP POWER 2.0-2.5 Hp
2 SPEEDS

FLOW RATE 750 L/min



S - WATER DRAIN
C - WATER LOAD

E - ELECTRONICS
R - HEATER
P - PUMP



EXAMPLE : BATHTUB WITH WPC COVERING

