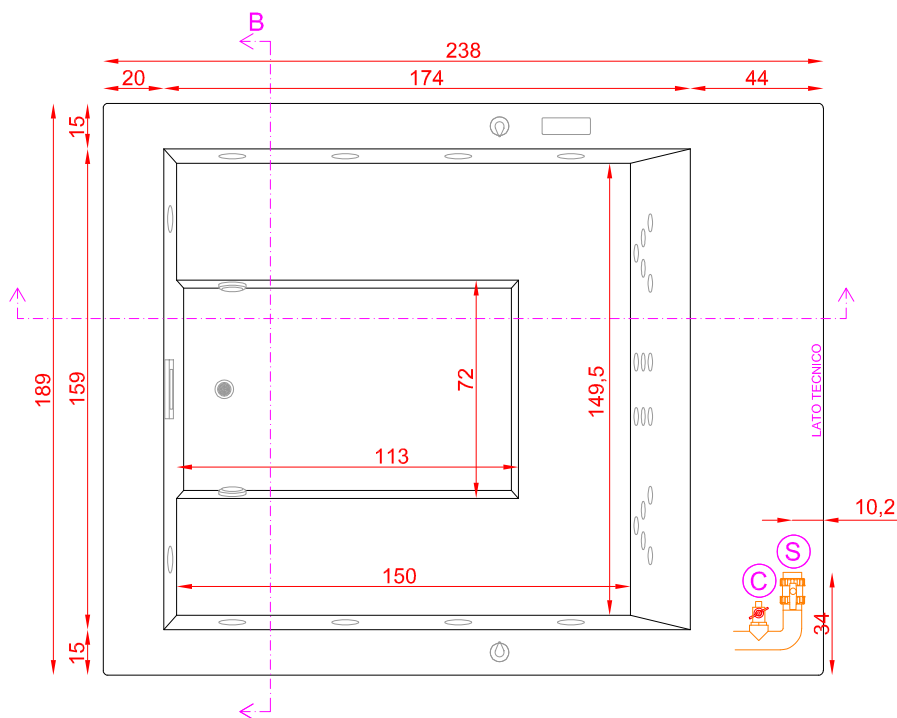


TECHNICAL DATA SHEET



BASIC FEATURES

DIMENSIONS 240x190xH.91 cm
ADJUSTABLE FEET +/- 2 cm

5/6 PEOPLE

WATER CAPACITY 1050 Lt

WHIRPOOL JETS
16 SMALL
08 MEDIUM
02 BIG

STRUCTURE WEIGHT 213KG

MINIMUM FLOOR RESISTANCE 300 Kg/m²

ELECTRICAL CHARACTERISTICS

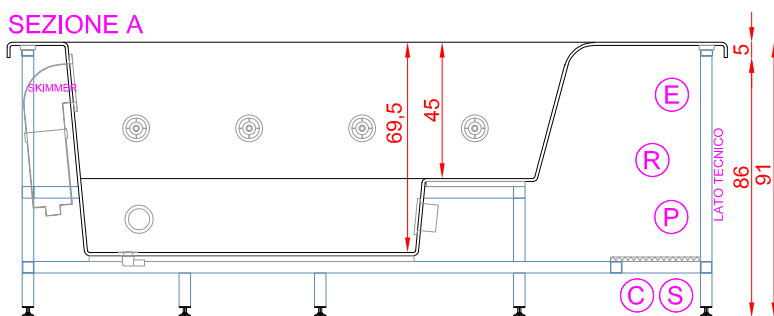
VOLTAGE 230V
TENSION 50Hz
HEATER POWER 3 Kw

MECHANICAL CHARACTERISTICS

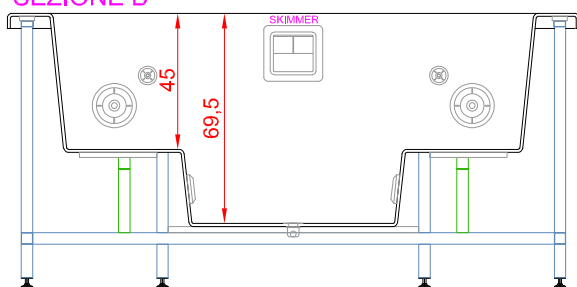
PUMP POWER 2.5-3.0 Hp
2 SPEEDS

FLOW RATE 800 L/min

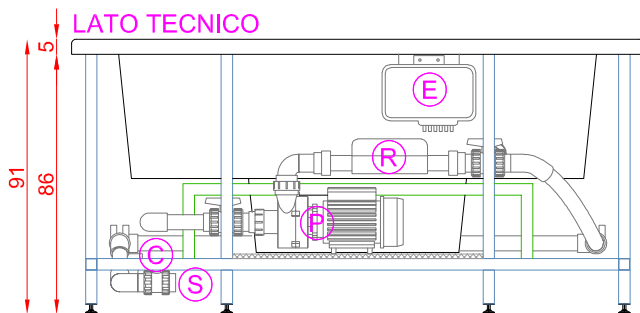
SEZIONE A



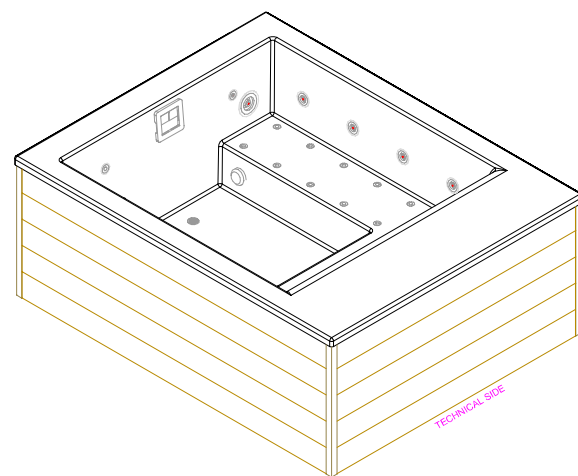
SEZIONE B



LATO TECNICO



S - WATER DRAIN
C - WATER LOAD
E - ELECTRONICS
R - HEATER
P - PUMP



EXAMPLE : BATHTUB WITH WPC COVERING

