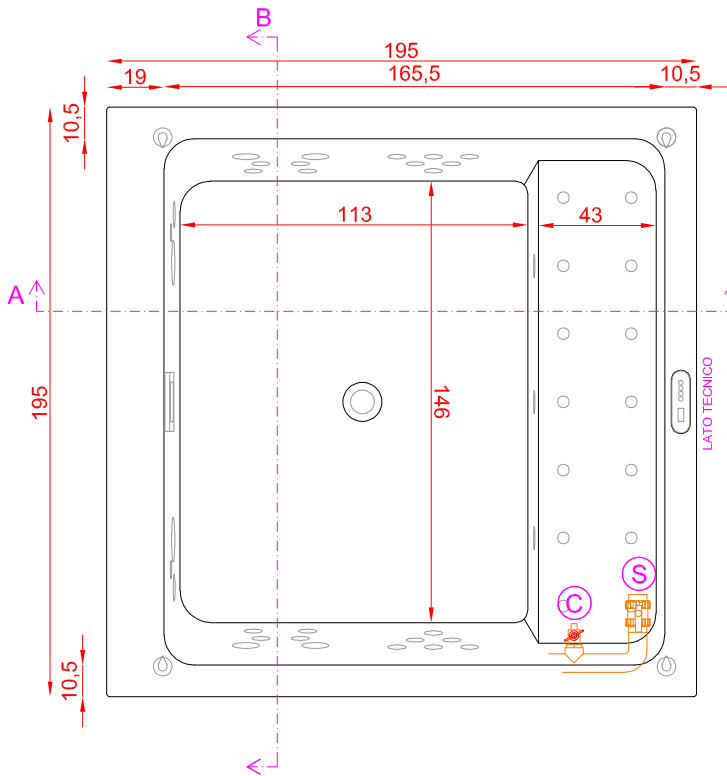


TECHNICAL DATA SHEET



BASIC FEATURES

DIMENSIONS 195x195xH.81,5 cm
ADJUSTABLE FEET +/- 2 cm

4 PEOPLE

WATER CAPACITY 1000 Lt

WHIRPOOL JETS

- 22 SMALL
- 06 MEDIUM
- 02 BIG

STRUCTURE WEIGHT 220KG

MINIMUM FLOOR RESISTANCE 330 Kg/m²

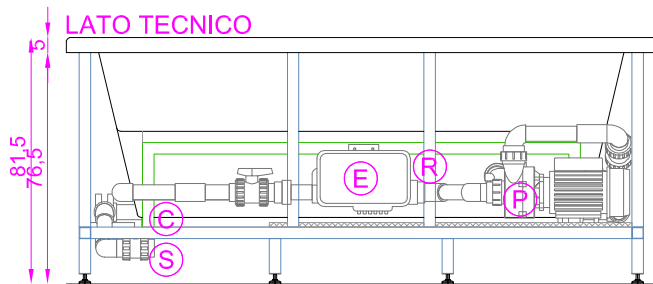
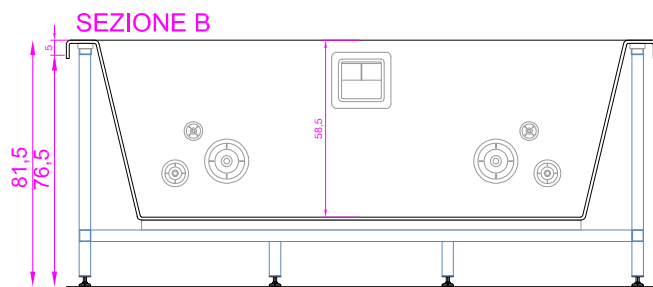
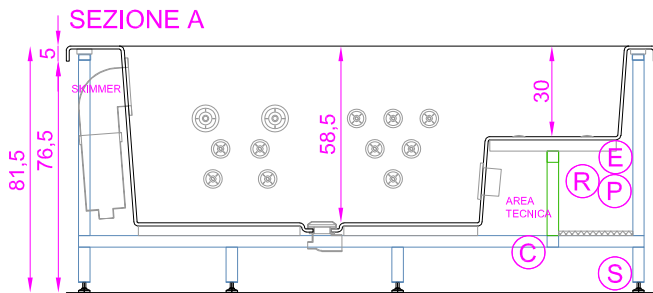
ELECTRICAL CHARACTERISTICS

VOLTAGE 230V
TENSION 50Hz
HEATER POWER 3 Kw

MECHANICAL CHARACTERISTICS

PUMP POWER 2.5-3.0 Hp
2 SPEEDS

FLOW RATE 800 L/min



- S - WATER DRAIN
- E - ELECTRONICS
- C - WATER LOAD
- R - HEATER
- P - PUMP

