

Technical Data Sheet

Series: **Kube**

Article code: **100NN8535**

Description:

One hole bidet mixer, click clack waste, antitorsion flex cm 50 x 1/2" F.

Materials:

Brass

Surface finish Matt Black

Finishing:



Features



Cartridge diam. 25 mm with 2 ceramic disks, with 25° opening angle, and 90° mixing angle. We use only certified white lubricant into our mixers and cartridges.



Aerator Male thread 16 x 1
Flow rate 7 l/min at 3 bar



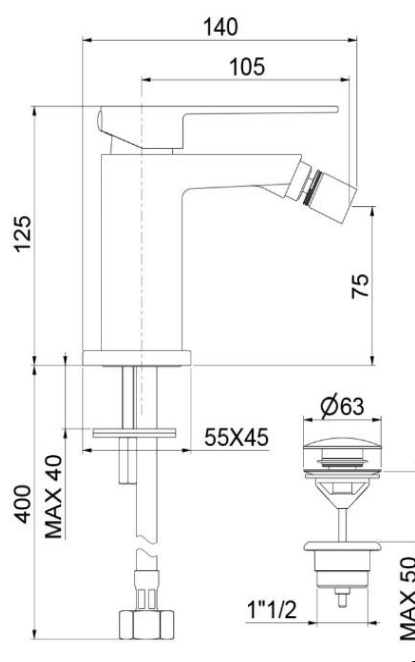
Stainless steel flex hoses cm 50 with 1/2 brass nut with internal non removable rubber



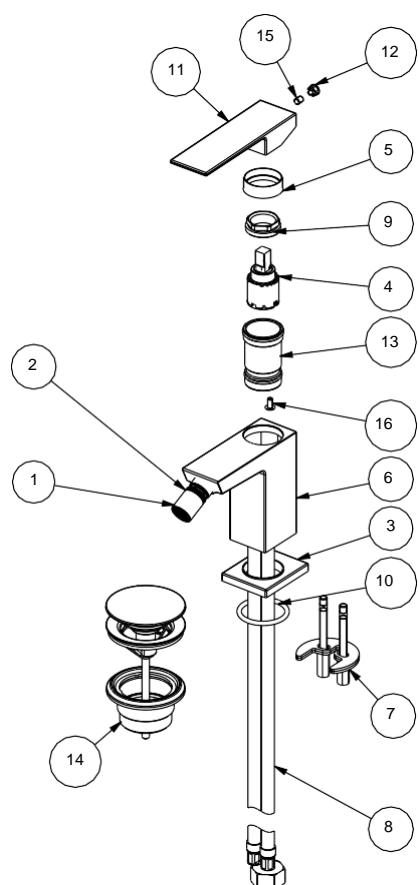
Metal pop up waste click clack



Easy installation with 65 mm brass long fixing screw
Suitable for electrical water heater



Technical Data Sheet



01	Swivel aerator	/
02	Aerator 16x1	Brass
03	Base	Brass
04	Cartridge Ø25 mm	/
05	Cap	Brass
06	Body	Brass
07	Fixing set	/
08	Antitorion flex 50 cm 1/2" F	/
09	Locking nut	Brass
10	OR 34,52x3,53	Rubber
11	Lever	Zamac
12	Plaquette	Chrome ABS
13	Cartridge holder	/
14	Click clack pop up waste	/
15	Screw M5x6	Steel
16	Screw M4x10	Steel

Maintenance

Product care also includes regularly cleaning the aerator filter from impurities and/or lime scale. For correct decalcification, disassemble the aerator and place it into diluted vinegar (max concentration: 10% at 20°C) to remove lime scale deposits and/or dirt from the aerator filters. Leave it to soak for a few hours, and then rinse using only water.

Cleaning recommendation for products and care of finish

Chrome: the chrome surfaces can be cleaned with a mild detergent or with neutral soap and water.

Color finishes: taps with colored finishes should be cleaned only with a cloth and water.

Never use detergents containing mineral acids (ex. hydrochloric acid), aggressive acids (ex. acetic acid), bases (ex. ammonia) phosphoric acid or other aggressive substances, as they can cause significant damage.



www.fiore.it/catalogues