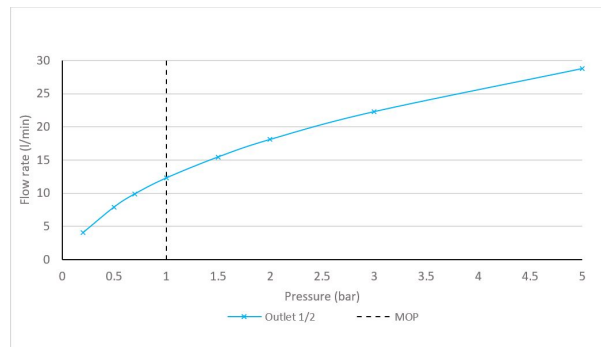


# SPECIFICATION SHEET



COLLECTION: ZONE  
PRODUCT CODE: IND-Z128/2-BLK



## SHOWER TYPE

Shower Valve

## VALVE TYPE

Concealed

## STYLE

Round, Square

## ORIENTATION

Vertical

## NUMBER OF OUTLETS

2 Outlet

## WITH ALL-FLOW FUNCTION

Yes

## WITH INTEGRATED DIVERTER

No

## COMPATIBLE WITH STUDFAST

No

## WITH BLEED VALVE FOR SYSTEM FLUSH ON INSTALLATION

No

tel: 01934 744466  
email: sales@vado.com  
www.vado.com

WHERE INSPIRATION FLOWS  
TAPS | SHOWERS | ACCESSORIES



# SPECIFICATION SHEET

COLLECTION: ZONE

PRODUCT CODE: IND-Z128/2-BLK

## WITH SHOWER KIT

No

## INCLUDES MORTAR / TILE GUARD

Yes

## COMPATIBLE WITH EASY-FIX BRACKETS

No

## WITH THERMOSTATIC TECHNOLOGY

Yes

## MIN-MAX WALL MOUNT

80-117mm

## CONNECTIONS / FITTINGS

2 x 1/2" female inlets, 2 x 1/2" female outlets, 2 x 1/2" capped-off female outlets\*

## SPARE PARTS

thermostatic cartridge V-701-32S, 2 x flow-stop-go cartridge N-10-01-26F

## NOTES

\*to operate the additional outlet(s) further purchase of ZON-143 is required

## MOUNTING

Wall Mounted

## PLUMBING SYSTEM SUITABILITY

Combination Boiler

## COLLECTION NAME

Zone

## FINISH

Brushed Black

# SPECIFICATION SHEET

COLLECTION: ZONE  
PRODUCT CODE: IND-Z128/2-BLK

## MINIMUM OPERATING PRESSURE

1.0 Bar MP

## GUARANTEE

15 Year Guarantee

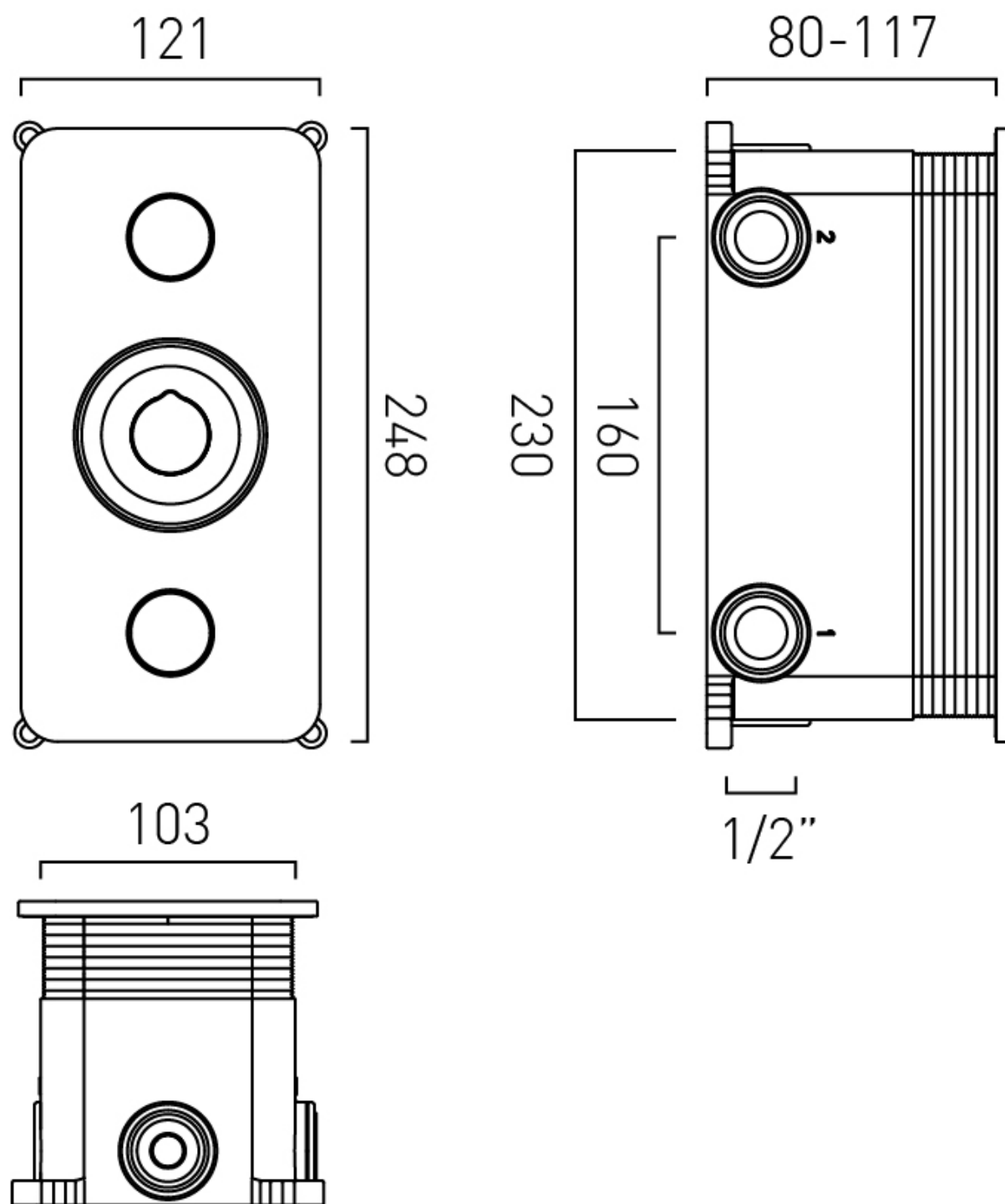
tel: 01934 744466  
email: [sales@vado.com](mailto:sales@vado.com)  
[www.vado.com](http://www.vado.com)

WHERE INSPIRATION FLOWS  
TAPS | SHOWERS | ACCESSORIES



# TECHNICAL DRAWING

COLLECTION: ZONE  
PRODUCT CODE: IND-Z128/2-BLK



tel: 01934 744466  
email: sales@vado.com  
www.vado.com

WHERE INSPIRATION FLOWS  
TAPS | SHOWERS | ACCESSORIES

