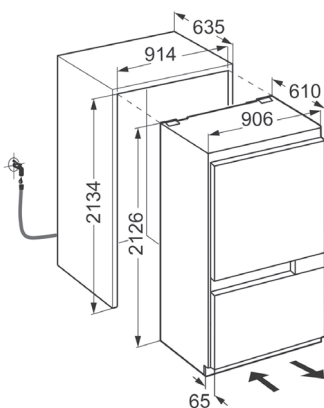




PROJECT		DETAILED SPECIFICATIONS	COMBINED REFRIGERATOR-FREEZER WITH BIOFRESH
LOCATION	KITCHEN	ITEM CODE	ECBN 9671 BIOFRESH NOFROST
FINISH	SILVER	MANUFACTURE	LIEBHERR DATE 22/09/2023

## Features



### Output and Consumption

Energy consumption per year	271 kWh/a
Climate class	SN-T
Noise level	38 dB
Refrigerant	R 600a
Voltage	220-240 V ~
Frequency	50 Hz
Connection rating	3.0 A 248.5 W

### Control and functions

Control	3,5" LCD colour display, touch and swipe
Control unit	Touch & Swipe
Malfunction: Warning signal	optical and acoustical
Temperature display	Fridge, freezing compartment & BioFresh safe

### Refrigerator Compartment

Temperature range, refrigerator compartment	+2°C to +7°C
Freshness technology	BioFresh
Interior light of BioFresh safe	Down light
Defrosting method	Automatic
FreshAir filter	In valve
SoftSystem	SoftSystem
Illumination cooling compartment	Illuminated side wall
Storage shelves, refrigerator compartment of which height-adjustable	3
Storage rack	2
	Gallon rack

### Freezer Compartment

Temperature range freezer compartment	-14°C to -27°C
Cooling technology	NoFrost
Defrosting method	Automatic
No. of drawers in freezer compartment	2
Interior light, freezer compartment	LED ceiling lighting
Water inlet	Fixed water connection
MaxIce function	3 kg / 24h
Ice cube production	1.6 kg / 24h
Ice cube storage	3 kg
Star-rating	4

### Design and materials

Material door shelves	Glass
Storage shelf material, refrigerator compartment	Glass
Door material	Steel

### Set - up and Installation

Type of installation	Can be integrated
Door assembly	Fixed door
Max. kitchen unit door weight	30/30
Door hinges	Right reversible
Door opening angle	115°
Ventilation	Base ventilation

### Specifications

Aperture dimensions height/width/depth	213.4 / 91 - 91.4 / 63.5 cm
Dimensions H/W/D	212.6 / 90.6 / 61 cm
Total volume	514 l
Volume, refrigerator compartments	330 l
of which BioFresh	87.1 l
Volume, freezer compartments	184 l

CONTACT :  
MOBILE :  
E-MAIL :

**MVP APPLIANCES**  
No. 1,11 B Street, Al Quoz Industrial Area 4, Dubai - UAE  
Tel : +971 4 380 9490 | Fax : +971 4 346 5614  
WEBSITE: www.mvpappliances.com