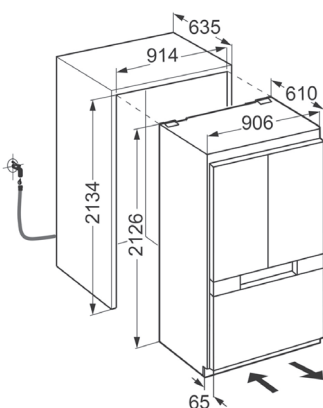




PROJECT		DETAILED SPECIFICATIONS	COMBINED REFRIGERATOR-FREEZER WITH BIOFRESH
LOCATION	KITCHEN	ITEM CODE	ECBN 9673 BIOFRESH NOFROST
FINISH	SILVER	MANUFACTURE	LIEBHERR DATE 10/04/2023

Features



Output and Consumption

Energy consumption per year	431 kWh/a
Climate class	SN-T
Noise level	38 dB
Refrigerant	R 600a
Voltage	220-240 V ~
Frequency	50 Hz
Connection rating	3.0 A 248.5 W

Control and functions

Control	3,5" LCD colour display, touch and swipe
Control unit	Touch & Swipe
Malfunction: Warning signal	optical and acoustical
Temperature display	Fridge, freezing compartment & BioFresh safe

Refrigerator Compartment

Temperature range, refrigerator compartment	+2°C to +7°C
Freshness technology	BioFresh
Interior light of BioFresh safe	Down light
Defrosting method	Automatic
FreshAir filter	in valve
SoftSystem	SoftSystem
Illumination cooling compartment	Illuminated side wall
Storage shelves, refrigerator compartment	3
Storage rack	Gallon rack

Freezer Compartment

Temperature range freezer compartment	-14°C to -27°C
Cooling technology	NoFrost
Defrosting method	Automatic
No. of drawers in freezer compartment	2
Interior light, freezer compartment	LED ceiling lighting
Water inlet	Fixed water connection
MaxIce function	3 kg / 24h
Ice cube production	1.4 kg / 24h
Ice cube storage	3 kg
Star-rating	4

Design and materials

Material door shelves	Glass
Storage shelf material, refrigerator compartment	Glass
Door material	Steel

Set - up and Installation

Type of installation	Can be integrated
Door assembly	Fixed door
Max. kitchen unit door weight	30/30/30/30
Door hinges	Right reversible
Door opening angle	115°
Ventilation	Base ventilation
Connector cable (length)	2,500 mm

Specifications

Aperture dimensions height/width/depth	213.4 / 91 - 91.4 / 63.5 cm
Dimensions H/W/D	212.6 / 90.6 / 61 cm
Total volume	510 l
Volume, refrigerator compartments	326 l
of which BioFresh	86.8 l
Volume, freezer compartments	184 l