



PROJECT	<input type="text"/>	DETAILED SPECIFICATIONS	<input type="text" value="COMERCIAL FRIDGE"/>
LOCATION	<input type="text"/>	ITEM CODE	<input type="text" value="GKpv 1470"/>
FINISH	<input type="text" value="STAINLESS STEEL"/>	MANUFACTURE	<input type="text" value="LIEBHERR"/> DATE <input type="text" value="11/07/2020"/>

Features

Output and Consumption



Energy efficiency class	C
Energy consumption in 24h	2.823 kWh / 24h
Measurement methodology for energy consumption	EN 1682
Climate class	5
Noise level	58 dB
Net capacity, total	1,056 l
Refrigerator compartment	1,056 l
Gross capacity, total	1,361 l
Refrigerator compartment	1,361 l
Refrigerant	R 290
Cooling system, refrigerator compartment	Dynamic
Defrosting, refrigerator compartment	Automatic
Voltage	220-240 V ~
Frequency	50 Hz
Connection rating	3.0 A

Dimension and Weight

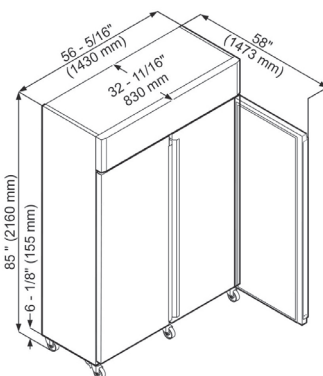
Insertion slot	GN 2/1, 530x650mm (Lengthwise insertion slot)
Product dimensions (H/W/D)	212.0 / 143.0 / 83.0 cm
Weight (with packaging)	208.0 kg
Weight (without packaging)	184.0 kg

Control and Functions

Control	Electronic control system
Control unit	Buttons
Temperature range refrigerator compartment	-2°C to +15°C
Temperature display	External digital
Malfunction: Warning signal	Optical and acoustical

Design and Features

Side wall material	Stainless steel
Colour	Stainless steel
Door/Cover material	Stainless steel
Lock	Fitted
Door hinges	Left fix/right fix
Material of interior containers	Chrome-nickel-steel
Storage shelves, refrigerator compartment of which height-adjustable	8
Shelf material	8
Load capacity storage shelf, refrigerator compartment	Grid shelves plastics coated
Door design	60 kg
Handle	SwingLine design
Material of adjustable feet	Handle moulding
	Stainless steel



CONTACT :
MOBILE :
E-MAIL :

MVP APPLIANCES

No. 1,11 B Street, Al Quoz Industrial Area 4, Dubai - UAE
Tel : +971 4 380 9490 | Fax : +971 4 346 5614
WEBSITE: www.mvpappliances.com