



PROJECT	<input type="text"/>	DETAILED SPECIFICATIONS	<input type="text" value="BUILT-IN UNDER WINE CABINET"/>
LOCATION	<input type="text"/>	ITEM CODE	<input type="text" value="UWTes 1672 VINIDOR"/>
FINISH	<input type="text" value="SILVER"/>	MANUFACTURE	<input type="text" value="LIEBHERR"/> DATE <input type="text" value="25/09/2023"/>

Features



Output and Consumption

Energy consumption in 24h	0.392 kWh / 24h
Noise level	38 dB
Net capacity, total	94 l
Gross capacity, total	123 l
Refrigerant	R 600a
Voltage	220 V ~
Frequency	60 Hz
Connection rating	0.8 A

Dimension and Weight

Exterior dimensions (H/W/D)	81.8 / 59.7 / 57.0 cm
Weight (with packaging)	53.0 kg
Weight (without packaging)	50.0 kg

Control and Functions

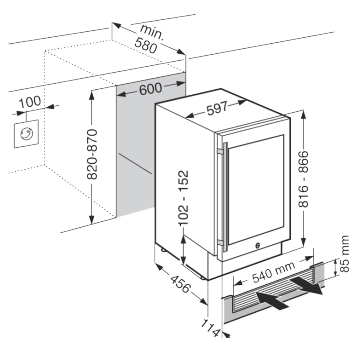
Control	Digital temperature display in the MagicEye
Control unit	Buttons
Malfunction: Warning signal	Optical and acoustical
Temperature display	Wine storage compartment
Temperature range wine storage compartment	+5°C to +20°C

Wine storage Compartment

Individual temperature zones	2
Temperature zones	2
Maximum number of 0.75 l Bordeaux bottles	34
Interior light wine storage compartment	LED lighting
Number of storage shelves	5
Those pulled out on telescopic rails	3
Storage shelf material, wine storage compartment	Wooden grid shelves
Lock	Fitted

Design and Materials

Side wall material	Stainless steel
Colour	Silver
Door/Cover material	Glazed door with stainless steel frame
Door hinges	Right interchangeable
Handle	Aluminium handle, solid



CONTACT :
MOBILE :
E-MAIL :

MVP APPLIANCES

No. 1,11 B Street, Al Quoz Industrial Area 4, Dubai - UAE
Tel : +971 4 380 9490 | Fax : +971 4 346 5614
WEBSITE: www.mvpappliances.com