

PROJECT	<input type="text"/>	DETAILED SPECIFICATIONS	<input type="text" value="INTEGRATED WINE COOLERS"/>
LOCATION	<input type="text" value="KITCHEN"/>	ITEM CODE	<input type="text" value="UWTgb 1682 VINIDOR"/>
FINISH	<input type="text" value="STEEL"/>	MANUFACTURE	<input type="text" value="LIEBHERR"/> DATE <input type="text" value="12/12/2023"/>

## Features

### Output and Consumption

Energy efficiency class	A
Energy consumption in 24h	0.392 kWh / 24h
Energy consumption per year	144 kWh/a
Climate class	SN-ST
Noise level	36 dB Net capacity, total 94 l
Gross capacity, total	123 l
Aperture dimensions height/width/depth	82 - 87 / 60 / 58.0 cm

### Control and Functions

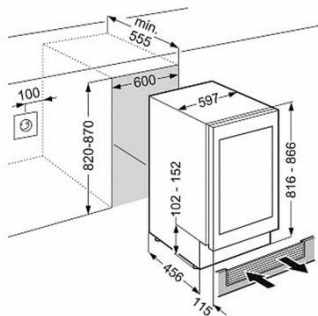
Control	LC-display
Control unit	Touch-Electronic
Temperature display	Wine storage compartment
Malfunction: Warning signal	Optical and acoustical
Door open: Warning signal,	Audible
Wine storage compartment	

### Refrigerator Compartment

Soft System	Soft System
-------------	-------------

### Wine Storage Compartment

Maximum number of 0.75 l Bordeaux bottles	34
Lighting	LED lighting
Number of storage shelves	5
Which can be pulled out on telescopic rails	3
Storage shelf material, wine storage Compartment	Wooden grid shelves



CONTACT :  
MOBILE :  
E-MAIL :

#### MVP APPLIANCES

No. 1,11 B Street, Al Quoz Industrial Area 4, Dubai - UAE  
Tel : +971 4 380 9490 | Fax : +971 4 346 5614  
WEBSITE: [www.mvpappliances.com](http://www.mvpappliances.com)