



PROJECT	<input type="text"/>	DETAILED SPECIFICATIONS	<input type="text" value="INTEGRATED WINE COOLERS"/>
LOCATION	<input type="text"/>	ITEM CODE	<input type="text" value="EWTdf 2353 VINIDOR (PUSH TO OPEN)"/>
FINISH	<input type="text" value="SILVER"/>	MANUFACTURE	<input type="text" value="LIEBHERR"/> DATE <input type="text" value="25/09/2023"/>

Features



Output and Consumption

Voltage	220-240 V ~
Frequency	50 Hz
Connection rating	1.0 A
Energy efficiency class	G
Energy consumption per year	160 kWh/a
Climate class	SN
Noise level	32 dB

Dimensions and Weight

Aperture height	122 cm
Dimensions H/W/D	123.3 / 59.5 / 57.2 cm
Height/width/depth (with packaging)	1,340.0 / 639.0 / 639.0 mm
Aperture dimensions height/width/depth	122 - 123.6 / 56 - 57 / 55.0 cm
Weight (without packaging)	66 kg
Weight (with packaging)	73 kg

Control and Functions

Control unit	Touch
Temperature display	Wine compartment
Malfunction: Warning signal	Optical and acoustical
Door open: Warning signal, wine storage compartment	Audible

Refrigerator Compartment

SoftSystem	SoftSystem
------------	------------

Wine Storage Compartment

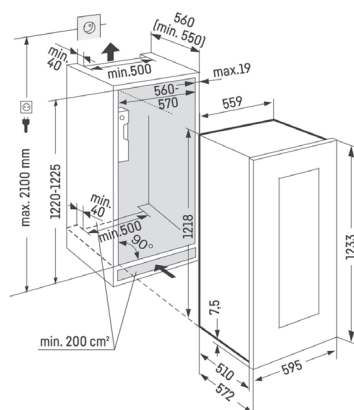
Maximum number of 0.75 l Bordeaux bottles **	51
Lighting	Continuously dimmable LED light
Number of storage shelves	6
of which can be pulled out on telescopic rails	4
Wine compartment, of which presentation shelves	1
Storage shelf material, wine storage compartment	Wooden pull-out shelf

Set-up and Installation

Door assembly	Flush-mounted
Door hinges	Right reversible
Height-adjustable feet	2

Specifications

Total volume ***	169 l
Volume, refrigerator compartments	169 l



CONTACT :
MOBILE :
E-MAIL :

MVP APPLIANCES
No. 1,11 B Street, Al Quoz Industrial Area 4, Dubai - UAE
Tel : +971 4 380 9490 | Fax : +971 4 346 5614
WEBSITE: www.mvpappliances.com