



PROJECT		DETAILED SPECIFICATIONS	BUILT-IN WINE CABINET
LOCATION	KITCHEN	ITEM CODE	EWTdf 3553 VINIDOR
FINISH	STAINLESS STEEL	MANUFACTURE	LIEBHERR
		DATE	11/07/2020

### Features



#### Output and Consumption

Energy efficiency class	A
Energy consumption in 24h	0.443 kWh / 24h
Energy consumption per year	162 kWh/a
Climate class	SN-ST
Noise level	34 dB
Net capacity, total	254 l
Gross capacity, total	289 l
Voltage	220-240 V ~
Frequency	50 Hz
Connection rating	1.0 A

#### Dimensions and Weight

Aperture height	178 cm
Dimension (packaged), H/W/D	1,895.0 / 639.0 / 639.0 mm
Aperture dimensions height/width/depth	177.2 - 178 / 56 - 57 / 55.0 cm
Weight (without packaging)	89.0 kg
Weight (with packaging)	97.0 kg

#### Control and Functions

Control	LCD display with digital temperature display
Control unit	Touch-Electronic
Temperature display	Wine storage compartment
Malfunction: Warning signal	Optical and acoustical
Door open: Warning signal, wine storage compartment	Audible

#### Refrigerator Compartment

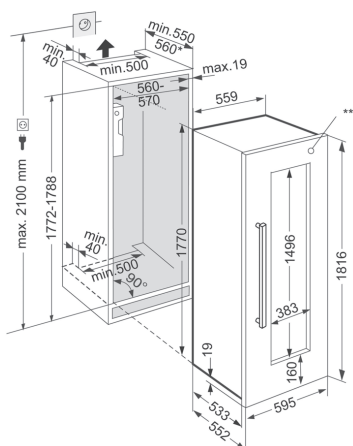
SoftSystem	SoftSystem
------------	------------

#### Wine Storage Compartment

Maximum number of 0.75 l Bordeaux bottles	80
Lighting	LED lighting, infinitely variable dimming
Number of storage shelves	10
Of which can be pulled out on telescopic rails	8
Of which wooden folding shelves	1
Storage shelf material, wine storage compartment	Wooden grid shelves

#### Set-up and Installation

Door assembly	Flush
Door hinges	Right interchangeable
Height-adjustable feet	2



CONTACT :  
MOBILE :  
E-MAIL :

**MVP APPLIANCES**  
No. 1,11 B Street, Al Quoz Industrial Area 4, Dubai - UAE  
Tel : +971 4 380 9490 | Fax : +971 4 346 5614  
WEBSITE: www.mvpappliances.com