



PROJECT		DETAILED SPECIFICATIONS	BUILT-IN WINE CABINET
LOCATION	KITCHEN	ITEM CODE	EWTgb 3583 VINIDOR
FINISH	BLACK	MANUFACTURE	LIEBHERR
		DATE	25/09/2023

Features



Output and Consumption

Energy efficiency class	A
Energy consumption in 24h	0.442 kWh / 24h
Energy consumption per year	162 kWh/a
Climate class	SN
Noise level	34 dB
Net capacity, total	271 l
Gross capacity, total	307 l
Voltage	220-240 V ~
Frequency	50 Hz
Connection rating	1.0 A

Dimensions and Weight

Aperture height	178 cm
Dimension (packaged), H/W/D	1,895.0 / 639.0 / 639.0 mm
Aperture dimensions height/width/depth	178 / 56 / 55.0 cm
Weight (without packaging)	89.0 kg
Weight (with packaging)	100.0 kg

Control and Functions

Control	LCD display with digital temperature display
Control unit	Touch-Electronic
Temperature display	Wine storage compartment
Temperature zones	2
Temperature range	+5 °C to +20 °C
Malfunction: Warning signal	Optical and acoustical
Door open: Warning signal, wine storage compartment	Audible

Refrigerator Compartment

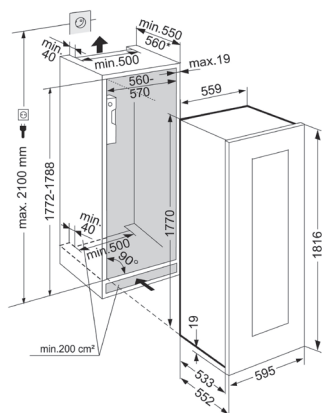
SoftSystem	SoftSystem
------------	------------

Wine storage Compartment

Maximum number of 0.75 l Bordeaux bottles	83
Lighting	LED lighting, infinitely variable dimming
Number of storage shelves	10
Of which can be pulled out on telescopic rails	8
Of which wooden folding shelves	1
Storage shelf material, wine storage compartment	Wooden grid shelves

Set-up and Installation

Door assembly	Flush
Door hinges	Right interchangeable
Height-adjustable feet	2



CONTACT :
MOBILE :
E-MAIL :

MVP APPLIANCES
No. 1,11 B Street, Al Quoz Industrial Area 4, Dubai - UAE
Tel : +971 4 380 9490 | Fax : +971 4 346 5614
WEBSITE: www.mvpappliances.com