



PROJECT	<input type="text"/>	DETAILED SPECIFICATIONS	<input type="text" value="BUILT-IN WINE CABINET"/>
LOCATION	<input type="text"/>	ITEM CODE	<input type="text" value="EWTgw 3583 VINIDOR"/>
FINISH	<input type="text" value="WHITE"/>	MANUFACTURE	<input type="text" value="LIEBHERR"/> DATE <input type="text" value="23/09/2023"/>

Features

Output and Consumption

Total volume	271 l
Volume, refrigerator compartments	271 l
Voltage	220-240 V ~
Frequency	50 Hz
Connection rating	1.0 A
Energy efficiency class	G
Energy consumption per year	178.12 kWh/a
Climate class	SN
Noise level	32 dB
Refrigerant	R 600a

Dimensions and Weight

Aperture height	178 cm
Dimensions H/W/D	181.6 / 59.5 / 57.2 cm
Height/width/depth (with packaging)	1,895.0 / 639.0 / 639.0 mm
Aperture dimensions height/width/depth	177.2 - 178 / 56 - 57 / 55.0 cm
Weight (without packaging)	90.00 kg
Weight (with packaging)	100.00 kg

Control and Functions

Control	LCD display with digital temperature display
Control unit	Touch
Temperature display	Wine storage compartment
Malfunction: Warning signal	Optical and acoustical
Door open: Warning signal, wine storage compartment	Audible

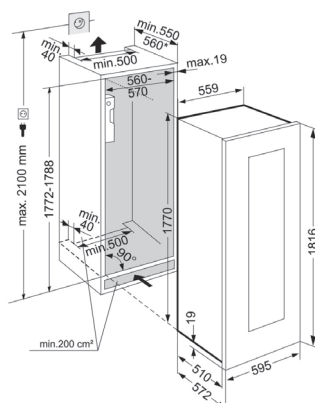
Refrigerator Compartment	
SoftSystem	SoftSystem

Wine storage Compartment

Maximum number of 0.75 l Bordeaux bottles	83
Lighting	Continuously dimmable LED light
Number of storage shelves	10
Of which can be pulled out on telescopic rails	8
Of which wooden folding shelves	1
Storage shelf material, wine storage compartment	Wooden grid shelves

Set-up and Installation

Door assembly	Flush
Door hinges	Right interchangeable
Height-adjustable feet	2



CONTACT :
MOBILE :
E-MAIL :

MVP APPLIANCES

No. 1,11 B Street, Al Quoz Industrial Area 4, Dubai - UAE
Tel : +971 4 380 9490 | Fax : +971 4 346 5614
WEBSITE: www.mvpappliances.com