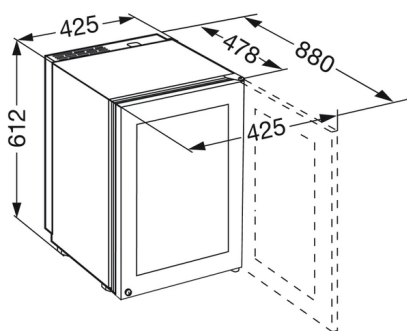




PROJECT		DETAILED SPECIFICATIONS	FREESTANDING WINE COOLER
LOCATION	KITCHEN	ITEM CODE	WKes 653 Grand Cru
FINISH	STAINLESS STEEL	MANUFACTURE	LIEBHERR DATE 25/09/2023

### Features



#### Output and Consumption

Total volume	48 l
Voltage	220-240 V ~
Frequency	50 Hz
Connection rating	1.0 A
Energy efficiency class	E
Energy consumption per year	78.48 kWh/a
Climate class	SN
Noise level	37 dB

#### Dimension and Weight

Product dimensions (H/W/D)	61.2 / 42.5 / 47.8 cm
Height / Width / Depth (with packaging)	695.0 / 440.0 / 508.0 mm
Weight (without packaging)	28.00 kg
Weight (with packaging)	33.00 kg

#### Control and Functions

Control	LC-display
Control unit	Touch
Individual temperature zones	1
Temperature zones	1
Temperature display	Wine compartment
Malfunction: Warning signal	Optical and acoustical
Door open: Warning signal, wine storage compartment	Audible

#### Wine storage compartment

Maximum number of 0.75 l Bordeaux bottles *	12
Lighting	LED light
Number of storage shelves	3
Storage shelf material, wine storage compartment	Wooden pull-out shelf
Lock	Fitted

#### Design and Materials

Door design	HardLine
Colour	Stainless steel
Door material	Glass with stainless steel frame
Side wall material	Stainless steel with Smart steel

#### Set-up and Installation

Door hinges	Right
-------------	-------

CONTACT :  
MOBILE :  
E-MAIL :

#### MVP APPLIANCES

No. 1,11 B Street, Al Quoz Industrial Area 4, Dubai - UAE  
Tel : +971 4 380 9490 | Fax : +971 4 346 5614  
WEBSITE: www.mvpappliances.com