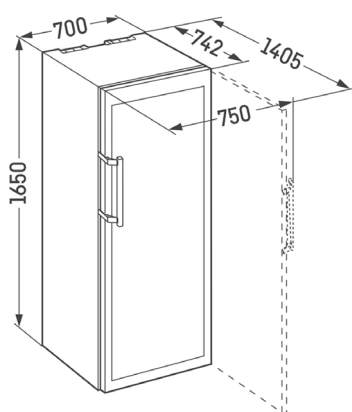




PROJECT		DETAILED SPECIFICATIONS	VINIDOR
LOCATION	KITCHEN	ITEM CODE	WKes 4552 GRANDCRU
FINISH	STAINLESS STEEL	MANUFACTURE	LIEBHERR
		DATE	25/09/2023

## Features



### Output and Consumption

Energy consumption in 24h	0.364 kWh / 24h
Energy consumption per year	133 kWh/a
Climate class	SN-ST
Connection rating	1.0 A
Voltage	220-240 V ~
Frequency	50 Hz
Gross capacity, total	478 l
Energy consumption in 24h	0.364 kWh / 24h
Climate class	SN-ST
Noise level	38 dB

### Control and Functions

Control unit	Buttons
Individual temperature zones	1
Temperature zones	1
Malfunction: Warning signal	optical and acoustical
Temperature display	Wine compartment
Door open: Warning signal, wine storage compartment	Audible

### Wine storage compartment

Maximum number of 0.75 l Bordeaux bottles *	201
Adjustable temperature range	+5 °C to +20 °C
Lighting	LED light
Number of storage shelves	6
Type of lock	Fitted

### Design and materials

Colour	Stainless steel
Side wall material	Stainless steel
Door colour	Silver
Door material	Glass with stainless steel frame
Storage shelf material, wine storage compartment	Wooden pull-out shelf
Handle	Aluminium slimline door handle with integrated opening mechanism
	HardLine

### Door design

### Set - up and Installation

Door hinges	Right reversible
-------------	------------------

### Specifications

Dimensions: height/width/depth (with packaging)	1,706.0 / 759.0 / 829.0 mm
Weight (without packaging)	86 kg
Weight (with packaging)	94.00 kg
Net capacity, wine storage compartment	435 l

CONTACT :  
MOBILE :  
E-MAIL :

### MVP APPLIANCES

No. 1,11 B Street, Al Quoz Industrial Area 4, Dubai - UAE  
Tel : +971 4 380 9490 | Fax : +971 4 346 5614  
WEBSITE: www.mvpappliances.com