



PROJECT	<input type="text"/>	DETAILED SPECIFICATIONS	<input type="text" value="WINE CHILLER"/>
LOCATION	<input type="text" value="KITCHEN"/>	ITEM CODE	<input type="text" value="WTes 5972"/>
FINISH	<input type="text" value="STAINLESS STEEL"/>	MANUFACTURE	<input type="text" value="LIEBHERR"/> DATE <input type="text" value="25/09/2023"/>

Features



Output and Consumption

Energy efficiency class	A
Energy consumption in 24h	0.498 kWh / 24h
Energy consumption per year	182 kWh/a
Climate class	SN-ST
Noise level	38 dB
Net capacity, total	516 l
Voltage	220-240 V ~
Frequency	50 Hz
Connection rating	1.0 A

Dimension and Weight

Exterior dimensions (H/W/D)	192 / 70.0 / 74.2 cm
Height / Width / Depth (with packaging)	1,980.0 / 759.0 / 829.0 mm
Weight (without packaging)	123.0 kg
Weight (with packaging)	132.0 kg

Control and Functions

Control	LC-Display
Control unit	Touch-Electronic
Individual temperature zones	2
Temperature zones	2
Temperature display	Wine storage compartment
Temperature range wine storage compartment	+5°C to +20°C
Malfunction: Warning signal	Optical and acoustical
Door open: Warning signal, wine storage compartment	
SoftSystem	Audible SoftSystem

Wine storage Compartment

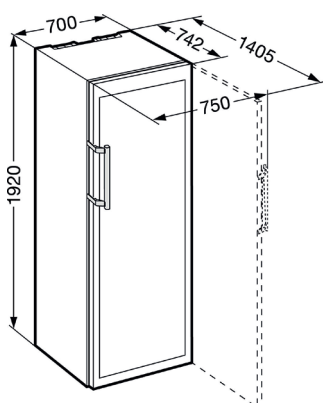
Maximum number of 0.75 l Bordeaux bottles	211
Lighting	LED lighting
Number of storage shelves	10
Of which can be pulled out on telescopic rails	8
Of which wooden folding shelves	1
Storage shelf material, wine storage compartment	Wooden grid shelves
Lock	Fitted

Design and Materials

Door design	HardLine
Colour	Stainless steel
Door material	Glazed door with stainless steel frame
Side wall material	Stainless steel
Handle	Aluminium handle, solid with integrated Opening mechanism

Set - up and Installation

Door hinges	Right interchangeable
-------------	-----------------------



CONTACT :
MOBILE :
E-MAIL :

MVP APPLIANCES
No. 1,11 B Street, Al Quoz Industrial Area 4, Dubai - UAE
Tel : +971 4 380 9490 | Fax : +971 4 346 5614
WEBSITE: www.mvpappliances.com