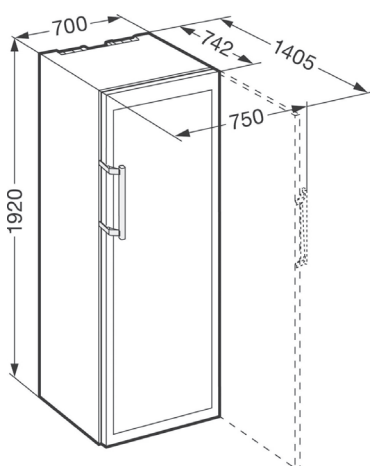




PROJECT		DETAILED SPECIFICATIONS	WINE CHILLER
LOCATION	KITCHEN	ITEM CODE	WTes 5872
FINISH	STAINLESS STEEL	MANUFACTURE	LIEBHERR
		DATE	25/09/2023

Features



Output and Consumption

Energy consumption in 24h	0.670 kWh / 24h
Energy consumption per year	245 kWh/a
Climate class	T
Noise level	38 dB
Net capacity, total	511 l
Gross capacity, total	584 l
Voltage	220-240 V ~
Frequency	50 Hz
Connection rating	1.5 A

Dimension and Weight

Product dimensions (H/W/D)	192 / 70.0 / 74.2 cm
Height / Width / Depth (with packaging)	2,010.0 / 759.0 / 829.0 mm
Weight (without packaging)	132.00 kg
Weight (with packaging)	140.00 kg

Control and Functions

Control	LC-display
Control unit	Touch-Electronic
Individual temperature zones	3
Temperature zones	3
Temperature display	Wine storage compartment
Temperature range wine storage compartment	+5°C to +20°C
Malfunction: Warning signal	Optical and acoustical
Door open: Warning signal, wine storage compartment	
SoftSystem	Audible
	SoftSystem

Wine storage compartment

Maximum number of 0.75 l Bordeaux bottles	178
Lighting	LED lighting
Number of storage shelves	13
of which can be pulled out on telescopic rails	10
of which wooden folding shelves	1
Storage shelf material, wine storage compartment	Wooden grid shelves
Lock	Fitted

Design and Materials

Door design	HardLine
Colour	Stainless steel
Door material	Glazed door with stainless steel frame
Side wall material	Stainless steel
Handle	Aluminium handle, solid with integrated opening mechanism

Set-up and Installation

Door hinges	Right interchangeable
-------------	-----------------------

CONTACT :
MOBILE :
E-MAIL :

MVP APPLIANCES

No. 1,11 B Street, Al Quoz Industrial Area 4, Dubai - UAE
Tel : +971 4 380 9490 | Fax : +971 4 346 5614
WEBSITE: www.mvpappliances.com