



PROJECT		DETAILED SPECIFICATIONS	INTEGRABLE UNDER-WORKTOP FRIDGE
LOCATION	KITCHEN	ITEM CODE	UIK 1510 COMFORT
FINISH	WHITE	MANUFACTURE	LIEBHERR DATE 25/09/2023

Features



Output and Consumption

Energy consumption in 24h	0.394 kWh / 24h
Energy consumption per year	144 kWh/a
Climate class	SN-T
Net capacity, total	135 l
Refrigerator compartment	135 l
Gross capacity, total	141 l
Refrigerator compartment	141 l
Voltage	220-240 V ~
Frequency	50 Hz
Connection rating	1.2 A

Dimension and Weight

Aperture height	82 - 88 cm
Dimension (packaged), H/W/D	883.0 / 615.0 / 617.0 mm
Aperture dimensions height/width/depth	82 - 88 / 60 / 55.0 cm
Weight (without packaging)	33.1 kg
Weight (with packaging)	35.7 kg

Control and Functions

Temperature range refrigerator compartment	+2°C to +9°C
Control	Magic Eye with LC and digital temperature display

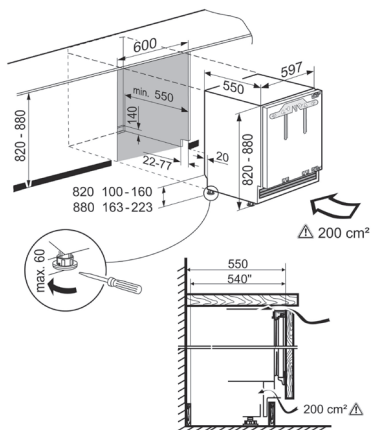
Control unit	Buttons
Temperature display	Refrigerator compartment
Door open: Warning signal, refrigerator compartment	Visual and audible

Refrigerator Compartment

Defrosting method	Automatic
Lighting	LED ceiling light
Number of storage shelves, refrigerator compartment	4
of which height-adjustable	3
Storage shelf material, refrigerator compartment	Glass
Bottle rack	1
Number of can racks	1
Vegetable bins	1

Set - up and Installation

Door assembly	Door-on-door
Door hinges	Right interchangeable
Door opening angle	115°
Ventilation	Plinth ventilation



CONTACT :
MOBILE :
E-MAIL :

MVP APPLIANCES
No. 1,11 B Street, Al Quoz Industrial Area 4, Dubai - UAE
Tel : +971 4 380 9490 | Fax : +971 4 346 5614
WEBSITE: www.mvpappliances.com