



PROJECT	<input type="text"/>	DETAILED SPECIFICATIONS	<input type="text" value="INTEGRABLE UNDER-WORKTOP FRIDGE"/>
LOCATION	<input type="text" value="KITCHEN"/>	ITEM CODE	<input type="text" value="UIK 1514 PREMIUM"/>
FINISH	<input type="text" value="WHITE"/>	MANUFACTURE	<input type="text" value="LIEBHERR"/> DATE <input type="text" value="23/09/2023"/>

Features



Output and Consumption

Energy efficiency class	A++
Energy consumption in 24h	0.378 kWh / 24h
Energy consumption per year	138 kWh/a
Climate class	SN-ST
Noise level	38 dB
Net capacity, total	119 l
Refrigerator compartment	104 l
Freezer compartment	15 l
Gross capacity, total	122 l
Refrigerator compartment	107 l
Voltage	220-240 V ~
Frequency	50 Hz
Connection rating	1.2 A

Dimension and Weight

Aperture height	82 - 88 cm
Dimension (packaged), H/W/D	883.0 / 615.0 / 617.0 mm
Aperture dimensions height/width/depth	82 - 88 / 60 / 55.0 cm
Weight (without packaging)	35.5 kg
Weight (with packaging)	38.0 kg

Control and Functions

Temperature range refrigerator compartment	+2°C to +9°C
Control	Magic Eye with LC and digital temperature display
Control unit	Buttons
Temperature display	Refrigerator compartment
Door open: Warning signal, refrigerator compartment	Visual and audible

Refrigerator Compartment

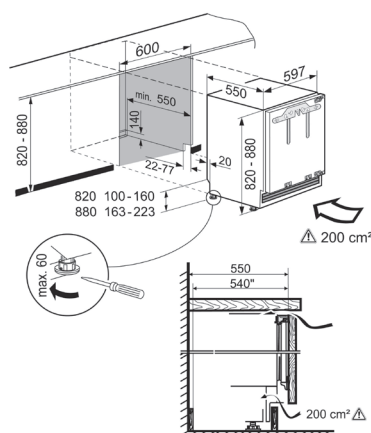
Defrosting method	Automatic
Lighting	LED lighting
Number of storage shelves, refrigerator compartment	3
of which height-adjustable	2
Storage shelf material, refrigerator compartment	Glass
Bottle rack	1
Number of can racks	1
Vegetable bins	1

Freezer Compartment

Storage time during interruptions in power supply	12 h
Freezing capacity in 24 hrs	2 kg

Set - up and Installation

Door assembly	Door-on-door
Door hinges	Right interchangeable
Door opening angle	115°
Ventilation	Plinth ventilation



CONTACT :
MOBILE :
E-MAIL :

MVP APPLIANCES

No. 1,11 B Street, Al Quoz Industrial Area 4, Dubai - UAE
Tel : +971 4 380 9490 | Fax : +971 4 346 5614
WEBSITE: www.mvpappliances.com