



PROJECT		DETAILED SPECIFICATIONS	INTEGRABLE UNDER-WORKTOP FRIDGE
LOCATION	KITCHEN	ITEM CODE	UIKo 1550 PREMIUM
FINISH	WHITE	MANUFACTURE	LIEBHERR DATE 25/09/2023

Features



Output and Consumption

Energy efficiency class	A++
Energy consumption in 24h	0.249 kWh / 24h
Energy consumption per year	91 kWh/a
Climate class	SN-ST
Noise level	38 dB
Net capacity, total	124 l
Refrigerator compartment	124 l
Gross capacity, total	136 l
Refrigerator compartment	136 l
Voltage	220-240 V ~
Frequency	50 Hz
Connection rating	1.2 A

Dimension and Weight

Aperture height	82 - 88 cm
Dimension (packaged), H/W/D	883.0 / 615.0 / 617.0 mm
Aperture dimensions height/width/depth	82 - 88 / 60 / 55.0 cm
Weight (without packaging)	40.2 kg
Weight (with packaging)	42.8 kg

Control and Functions

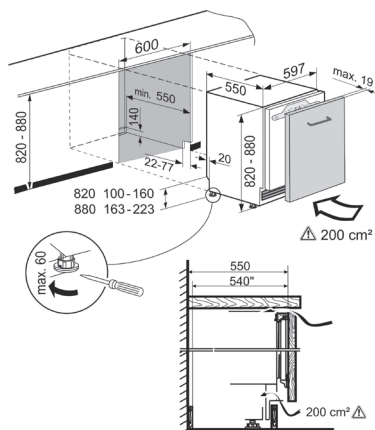
Temperature range refrigerator compartment	+2°C to +9°C
Control	Magic Eye with LC and digital temperature display
Control unit	Buttons
Temperature display	Refrigerator compartment
Door open: Warning signal, refrigerator compartment	Visual and audible

Refrigerator Compartment

Defrosting method	Automatic
Lighting	LED ceiling light
Number of storage shelves, refrigerator compartment	2
Storage shelf material, refrigerator compartment	Glass
Vegetable bins	1

Set - up and Installation

Door assembly	Pull-out trolley
Door hinges	Pull-out unit
Ventilation	Plinth ventilation



CONTACT :
MOBILE :
E-MAIL :

MVP APPLIANCES
No. 1,11 B Street, Al Quoz Industrial Area 4, Dubai - UAE
Tel : +971 4 380 9490 | Fax : +971 4 346 5614
WEBSITE: www.mvpappliances.com