



PROJECT		DETAILED SPECIFICATIONS	FULLY INTEGRATED FRIDGE
LOCATION	Kitchen	ITEM CODE	IRE 5100 COMFORT
FINISH	WHITE	MANUFACTURE	LIEBHERR
		DATE	22/09/2023



FEATURES

Output and Consumption

Energy efficiency class	A++
Energy consumption per year	114.30 kWh/a
Climate class	SN-T
Noise level	35 dB
Refrigerant	R 600a
Voltage	220-240 V ~
Frequency	50-60 Hz
Connection rating	1.2 A
Total volume	308 l
Volume, refrigerator compartments	309 l

Dimension and Weight

Aperture dimensions height/width/depth	177.2 - 178.8 / 56 - 57 / 55.0 cm
Height / Width / Depth (with packaging)	1,829.0 / 572.0 / 622.0 mm
Weight (without packaging)	54.50 kg
Weight (with packaging)	58.80 kg
Dimensions H/W/D	177.0 / 55.9 / 54.6 cm

Control and Functions

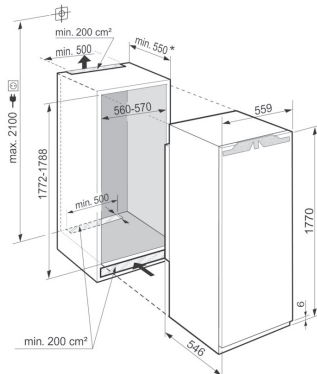
Anzahl Temperaturzonen	1
Number of regulated refrigeration circuits	1
Temperature display	Refrigerator
SmartDeviceBox	Retrofittable

Refrigerator Compartment

Temperature range, refrigerator compartment	+2 °C to +9 °C
Refrigerator compartment climate zones	EasyFresh with universal drawer
Defrosting method	Automatic
FreshAir filter	In valve
Illumination cooling compartment	LED ceiling lighting
Storage shelves, refrigerator compartment of which height-adjustable	7 6
Bottle rack	2
Number of can racks	2
Egg tray	10 Eggs
Storage rack	Bottle and can rack
Height-adjustable inner door shelf	Gradual adjustment

Set - up and Installation

Type of installation	Can be integrated
Door assembly	Fixed door
Door hinges	Right reversible
Door hinge replacement	Possible for customer
Door opening angle	115°
Door seal	Replaceable
Height-adjustable feet	2
Number of levelling bars	2
Ventilation	Ventilation grates
Control	basic UI



CONTACT :
MOBILE :
E-MAIL :

MVP APPLIANCES
No. 1,11 B Street, Al Quoz Industrial Area 4, Dubai - UAE
Tel : +971 4 380 9490 | Fax : +971 4 346 5614
WEBSITE: www.mvpappliances.com