



PROJECT		DETAILED SPECIFICATIONS	FULLY INTEGRATED FRIDGE
LOCATION	Kitchen	ITEM CODE	IRBE 5120 COMFORT
FINISH	WHITE	MANUFACTURE	LIEBHERR
		DATE	22/09/2023



FEATURES

Output and Consumption

Energy efficiency class	A++
Energy consumption per year	155.80 kWh/a
Climate class	SN-T
Noise level	37 dB
Refrigerant	R 600a
Voltage	220-240 V ~
Frequency	50 Hz
Connection rating	1.2 A
Total volume	294 l
Volume, refrigerator compartments of which BioFresh	294 l / 98.2 l

Dimension and Weight

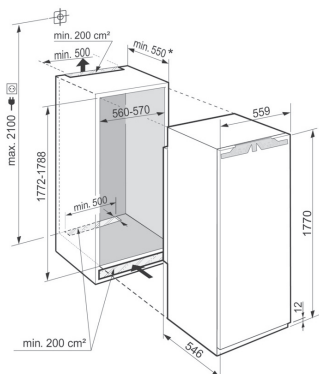
Aperture dimensions height/width/depth	177.2 - 178.8 / 56 - 57 / 55.0 cm
Height / Width / Depth (with packaging)	1,829.0 / 572.0 / 622.0 mm
Weight (without packaging)	59.40 kg
Weight (with packaging)	64.00 kg
Dimensions H/W/D	177.0 / 55.9 / 54.6 cm

Control and Functions

Number of temperature zones	2
Number of regulated refrigeration circuits	1
Temperature display	Refrigerator
SmartDeviceBox	Retrofittable

Refrigerator Compartment

Temperature range, refrigerator compartment	+3°C to +9°C
Refrigerator compartment climate zones	Fruit & Vegetable safe / Meat & Dairy safe
Freshness technology	BioFresh
Number of BioFresh safes	3
Defrosting method	Automatisch
FreshAir filter	In valve
Pull-out system drawer, refrigerator compartment	Partially-extendible telescopic rails
SoftSystem	SoftSystem
Illumination cooling compartment	LED ceiling lighting
Storage shelves, refrigerator compartment	7
Of which separable	1
of which height-adjustable	6
Bottle storage	Integrated
Bottle rack	2
Number of can racks	2
Egg tray	10 eggs
Storage rack	Flaschen- und Konservenabsteller
Height-adjustable inner door shelf	Gradual adjustment



Set - up and Installation

Type of installation	Can be integrated
Door assembly	Fixed door
Door hinges	Right reversible
Door hinge replacement	Possible for customer
Door opening angle	115°
Door seal	Replaceable
Height-adjustable feet	2
Number of levelling bars	2
Ventilation	Ventilation grates
Control	Basic UI

CONTACT :
 MOBILE :
 E-MAIL :

MVP APPLIANCES
 No. 1,11 B Street, Al Quoz Industrial Area 4, Dubai - UAE
 Tel : +971 4 380 9490 | Fax : +971 4 346 5614
 WEBSITE: www.mvpappliances.com