



PROJECT		DETAILED SPECIFICATIONS	REFRIGERATOR / FREEZER WITH BIO FRESH AND NO FROST
LOCATION		ITEM CODE	ECBN 5066 PREMIUM
FINISH	WHITE	MANUFACTURE	LIEBHERR
		DATE	22/09/2023



FEATURES

Output and Consumption

Energy Label	EnergyStar
Energy rating	4.5
Voltage	220-240 V ~
Frequency	50 Hz
Connection rating	1.5 A 194 W

Control and Functions

Malfunction: Warning signal	Optical and acoustical
Control unit	Touch
Number of temperature zones	3
Number of regulated refrigeration circuits	2
Temperature display	Fridge & freezing compartment
Front frame heating	Refrigerator and freezer compartment

Refrigerator Compartment

Temperature range, refrigerator compartment	+3 °C to +9 °C
Freshness technology	BioFresh
Number of BioFresh safes	2
Interior light of BioFresh safe	LED light
Defrosting method	Automatic
Illumination cooling compartment	LED light column, both sides
Storage shelves, refrigerator compartment	4
Of which separable	1
of which height-adjustable	3
Bottle rack	1
Number of can racks	2
Storage rack	Bottle and can rack

Freezer Compartment

Temperature range freezer compartment	-14 °C to -28 °C
Cooling technology	NoFrost
Freezer compartment position	Bottom
Defrosting method	Automatic
No. of drawers in freezer compartment	2
Interior light, freezer compartment	LED light
IceMaker	Yes
Water inlet	Fixed water connection
Ice cube storage	2.7 kg
Star-rating	4

Dimension and Weight

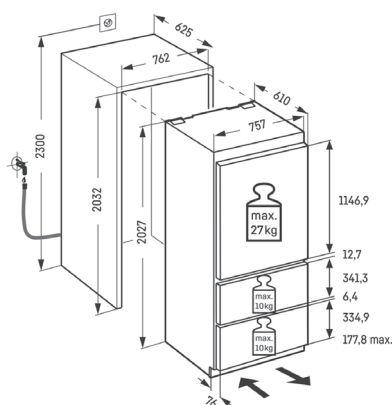
Material dry back wall	stainless steel
Design of inner door rack	Premium GlassLine
Material door shelves	Glass with stainless steel trim
Storage shelf material, refrigerator compartment	Glass
Door material	Steel

Set - up and Installation

Door assembly	Fixed door
Door hinges	Right Right reversible
Door opening angle	115°

Specifications

Total volume	402 l
Aperture dimensions height/width/depth	203.2 - 207.2 / 76.2 / 63.5 cm
Dimensions H/W/D	202.4 / 75.7 / 61 cm
Volume, refrigerator compartments	277 l
of which BioFresh	62.1 l
Volume, freezer compartments	125 l
Of which 4-star compartment	124.6 l



CONTACT :
MOBILE :
E-MAIL :

MVP APPLIANCES
No. 1,11 B Street, Al Quoz Industrial Area 4, Dubai - UAE
Tel : +971 4 380 9490 | Fax : +971 4 346 5614
WEBSITE: www.mvpappliances.com