

PROJECT		DETAILED SPECIFICATIONS	Comfort MONOLITH REFRIGERATION
LOCATION		ITEM CODE	SKesf 4240 Comfort MONOLITH
FINISH	STAINLESS STEEL	MANUFACTURE	LIEBHERR DATE 12/12/2023

## Features

### Output and Consumption

Total volume	386 l
Voltage	220-240 V ~
Frequency	50 Hz
Connection rating	1.2 A
Energy efficiency class	F
Energy consumption in 24h	0.415 kWh / 24h
Energy consumption per year	151.48 kWh/a
Climate class	SN-T
Noise level	36 dB
Sound emission class	C

### Dimension and Weight

Product dimensions (H/W/D)	185.2 X 60.0 X 63.0 cm
----------------------------	------------------------

### Control and Functions

Control	LED temperature display in the Magic Eye
Position	Behind the door
Control unit	Buttons
Individual temperature zones	1
Temperature zones	1
Temperature display	Refrigerator

### Refrigerator Compartment

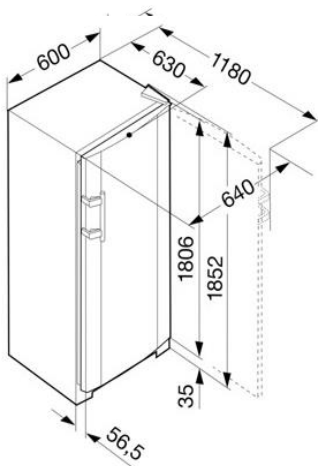
Defrosting method	Automatic
Lighting	LED ceiling lighting
Number of storage shelves, refrigerator compartment of which height-adjustable	7
Storage shelf material, refrigerator compartment	6
Bottle shelf	Glass
Design of inner door rack	Upgradable
Bottle rack	Comfort Glass Line
Number of can racks	2
Vegetable bins	3
	2

### Design and Materials

Door design	Swing Line design
Color	Silver
Door material	Stainless steel door with Smart Steel
Side wall material	Steel
Handle	Stainless steel slim line door handle with integrated opening mechanism

### Set - up and Installation

Door hinges	Right
-------------	-------



CONTACT :  
MOBILE :  
E-MAIL :

**MVP APPLIANCES**  
No. 1,11 B Street, Al Quoz Industrial Area 4, Dubai - UAETel :  
+971 4 380 9490 | Fax : +971 4 346 5614  
WEBSITE: www.mvpappliances.com