

PROJECT	<input type="text"/>	DETAILED SPECIFICATIONS	NoFrost MONOLITH REFRIGERATOR	
LOCATION	<input type="text"/>	ITEM CODE	SGNesf 3063 Comfort NoFrost	
FINISH	STAINLESS STEEL	MANUFACTURE	LIEBHERR	DATE 13/12/2023

Features



Power Consumption and Volume

Energy efficiency class	A
Energy consumption in 24 hours	0.854 kWh / 24h
Energy consumption per year	312 kWh / a
Energy consumption per year	312.00 kWh / year
Climatic class	SN-T
Noise level	42 dBA
Net volume, total	257 l
Gross volume, total	304 l
Voltage	220-240 V ~
Frequency	50 Hz
Power consumption	1.3 A 259 W

Dimensions and weight

External dimensions	H 185.2 X W 60.0 X D 63.0 cm
Weight (with packaging)	81.50 kg

Control and Functions

Control	Magic Eye display with LED temperature indication
Control	Buttons
Temperature indicator	Freezer compartment
Fault alarm	Optical and acoustic
Open door alarm sensor	Acoustic
Automatic Super Frost function	Time adjustable

Freezer

Freezer compartment symbol (number of stars)	4
Freezing system	NoFrost

Defrosting method automatic

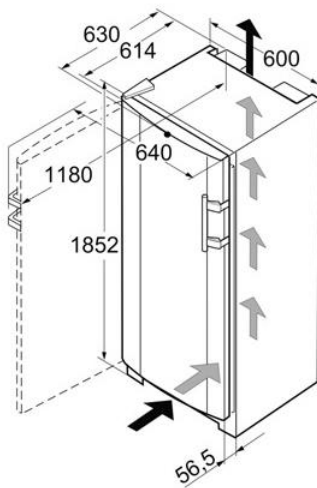
Storage time when power off	20 h
Freezing capacity per day	20 Kg
Drawers	Eight
Shelf material	Glass

Design and materials

Door design	Swing Line design
Color	Silver
Door material	Stainless steel door with Smart Steel
Side wall material	Steel
Pen	Stainless steel with built-in pusher

Installation

Door opening side	Left Stationary Front Ventilation
-------------------	-----------------------------------



CONTACT :
MOBILE :
E-MAIL :

MVP APPLIANCES

No. 1,11 B Street, Al Quoz Industrial Area 4, Dubai - UAE
Tel : +971 4 380 9490 | Fax : +971 4 346 5614
WEBSITE: www.mvpappliances.com