



PROJECT	<input type="text"/>	DETAILED SPECIFICATIONS	<input type="text" value="BUILT-IN MULTI-TEMPERATURE WINE CABINET"/>
LOCATION	<input type="text"/>	ITEM CODE	<input type="text" value="EWT 9275"/>
FINISH	<input type="text" value="STAINLESS STEEL"/>	MANUFACTURE	<input type="text" value="LIEBHERR"/> DATE <input type="text" value="22/09/2023"/>

Features



Power and Consumption

Voltage	220-240 V ~
Frequency	50 Hz
Connection rating	1.5 A
Energy efficiency class	G
Energy consumption per year	180 kWh/a
Climate class	SN-ST
Noise level	38 dB
Refrigerant	R 600a

Dimension and Weight

Aperture height	213 cm
Dimensions H/W/D	212.6 / 60.2 / 61 cm
Height/width/depth (with packaging)	2,270.0 / 665.0 / 765.0 mm
Aperture dimensions height/width/depth	213.4 / 61 / 63.5 cm
Weight (without packaging)	158.00 kg
Weight (with packaging)	174 kg

Control and Functions

Control	3,5" LCD colour display, touch and swipe
Control unit	Touch
Temperature display	Wine compartment
Malfunction: Warning signal	Optical and acoustical
Door open: Warning signal, wine storage compartment	Audible

Wine storage compartment

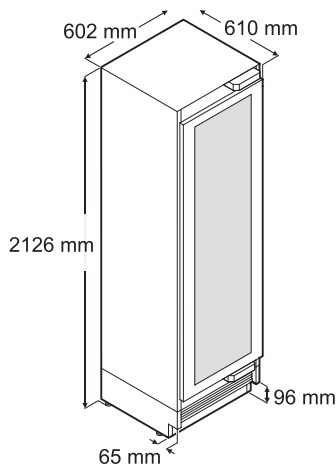
Maximum number of 0.75 l Bordeaux bottles *	100
Lighting	Illuminated side wall
Number of storage shelves	9
of which can be pulled out on telescopic rails	9
Storage shelf material, wine storage compartment	Aluminium/beechn

Set-up and installation

Door assembly	Fixed door
Max. kitchen unit door weight	10
Door hinges	Right reversible

Specifications

Total volume	320 l
Volume, refrigerator compartments	320 l



CONTACT :
MOBILE :
E-MAIL :

MVP APPLIANCES
No. 1,11 B Street, Al Quoz Industrial Area 4, Dubai - UAE
Tel : +971 4 380 9490 | Fax : +971 4 346 5614
WEBSITE: www.mvpappliances.com