



PROJECT		DETAILED SPECIFICATIONS	FULLY FITTED REFRIGERATOR WITH BIOFRESH
LOCATION	PANTRY KITCHEN	ITEM CODE	EKB 9471 BIOFRESH
FINISH	STAINLESS STEEL	MANUFACTURE	LIEBHERR
		DATE	22/09/2023

Features

Power and Consumption



Energy class	A ++
Power consumption in 24 hours	0.389 kWh / 24h
Power consumption per year	142 kWh / a
Climate class	SN-T
Noise - sound power	39 dB
Usable capacity, overall	441 l
Refrigerator	441 l
Of them BioFresh	199 l
Total Gross Capacity	529 l
Refrigerator	529 l
Of them BioFresh	211 l
Voltage	220-240 V ~
Frequency	50 Hz
Connection load	3.0 A 236 W

Dimension and Weight

Recess height	213 cm
Dimensions packed, Y / W / B	2.270,0 / 820,0 / 765,0 mm
Rectangular Dimensions H / W / D	213.36 - 213.4 / 76.2 / 63.5 cm
Weight (without packaging)	179.0 kg
Weight (packed)	195.0 kg

Control and Functions

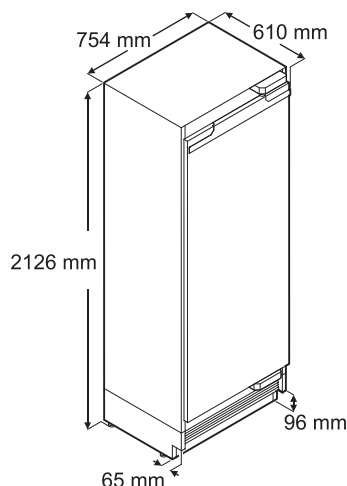
Radiator temperature range	+ 2 ° C to + 7 ° C
Control system	3.5 "Color Touch Screen, Touch and Swipe
Handling	Electronic touch screen
Temperature display	Refrigerator and BioFresh zone
Fault: warning sound	Audiovisual
SmartDeviceBox	Pre-installed

Refrigerator

Closing closure	SoftSystem
Defrosting process	Automatically
Illumination	Enlightened sidewalls
Number of radiator shelves	4
Of them adjustable in height	3
of them flexibly used bottles	1
Refrigerator Shelf Material	Glass
Number of shelves for cans	2
Case 0 ° **	BioFresh
Number of BioFresh trays	2
DrySafe	1
Of them HydroSafe	2
With lighting	Cathode Lighting

Installation

Door fittings	Door on the door
Door opening	Right convertible
Angle of door opening	115 °
Ventilation	Base ventilation



CONTACT :
MOBILE :
E-MAIL :

MVP APPLIANCES

No. 1,11 B Street, Al Quoz Industrial Area 4, Dubai - UAE
Tel : +971 4 380 9490 | Fax : +971 4 346 5614
WEBSITE: www.mvpappliances.com