



Casa Milano

TECHNICAL DATA SHEET

Casa Milano

Sapphire sink mixer Chrome

390100103789

This Chrome kitchen mixer is a stylish, easy to use fixture for kitchen. It offers precise water control, smooth operation, and durability due to its high quality materials. It's also easy to clean and can be operated with one hand, making it a practical and elegant addition to kitchen.

SPECIFICATIONS

Colour : Chrome

Material : Solid Brass

Tap holes : Single hole

Mounting : Deck mounted

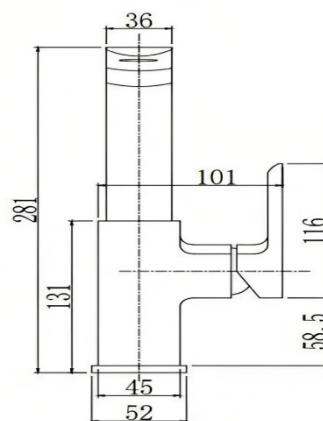
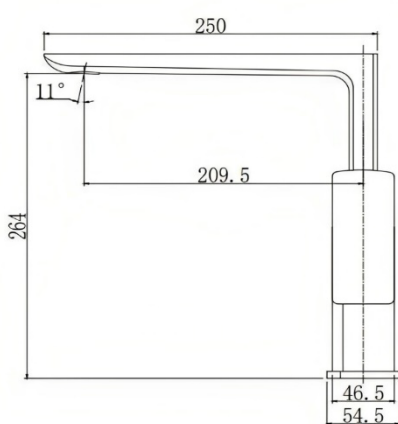
Operating type : Manual

Shape (mm) : Square

Dimensions : All dimensions are in mm , as per the drawing below .



DRAWING



TECHNOLOGY



Leak Proof



Durable Materials



Ecco Smart



5
YEARS
WARRANTY



Follow us - [casamilanouae](#)



www.casamilanoitaly.com

Email us –
info@casamilanoitaly.com
WHATSAPP & TOLL FREE
8009394