

SPECIFICATIONS

DESCRIPTION

- Solid brass construction
- Two fixing points

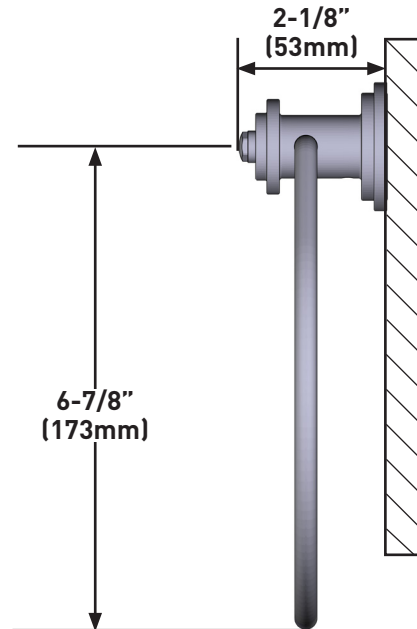
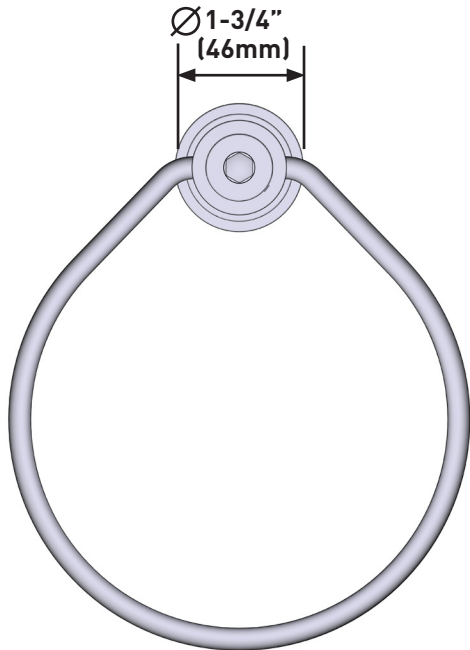
WARRANTY

- Visit www.perrinandrowe.co.uk for more information



Armstrong™ Towel Ring

MODELS: 6235



For care and cleaning, product warranty, and additional information contact:

US Customers

U.S.A.
houseofrohl.com/support
1-800-777-9762

QUEBEC / MARITIMES / WESTERN CANADA
QUÉBEC / MARITIMES / OUEST CANADIEN
QUEBEC / MARITIMOS / CANADA OCCIDENTAL
houseofrohl.ca/support
1-866-473-8442

Canadian Customers

ONTARIO
houseofrohl.ca/support
1-800-287-5354

EMEA Customers

UNITED KINGDOM
www.perrinandrowe.co.uk
+44 (0)1708 526361