

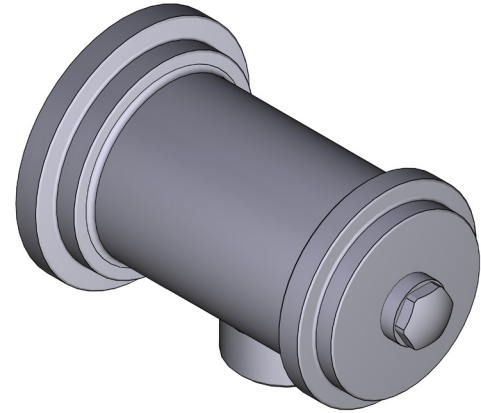
# SPECIFICATIONS

**DESCRIPTION**

- G 1/2" connection
- G 1/2" shank supplied

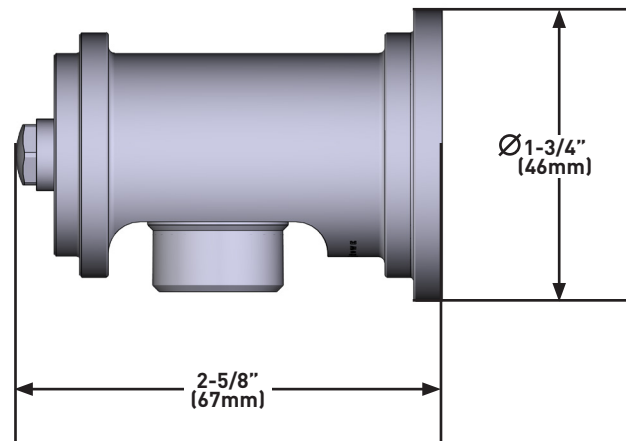
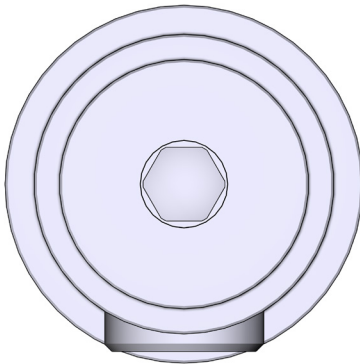
**WARRANTY**

- Visit [www.perrinandrowe.co.uk](http://www.perrinandrowe.co.uk) for more information



## Armstrong™ Wall Outlet

**MODELS:** 5646



**For care and cleaning, product warranty, and additional information contact:**

**US Customers**

U.S.A.  
[houseofrohl.com/support](http://houseofrohl.com/support)  
1-800-777-9762

QUEBEC / MARITIMES / WESTERN CANADA  
QUÉBEC / MARITIMES / OUEST CANADIEN  
QUEBEC / MARITIMOS / CANADA OCCIDENTAL  
[houseofrohl.ca/support](http://houseofrohl.ca/support)  
1-866-473-8442

**Canadian Customers**

ONTARIO  
[houseofrohl.ca/support](http://houseofrohl.ca/support)  
1-800-287-5354

**EMEA Customers**

UNITED KINGDOM  
[www.perrinandrowe.co.uk](http://www.perrinandrowe.co.uk)  
+44 (0)1708 526361