

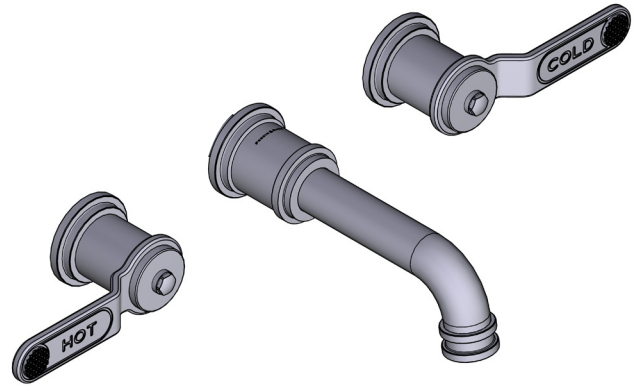
# SPECIFICATIONS

**DESCRIPTION**

- G 1/2" connections
- Ceramic cartridge
- Swivel aerator
- Waste kit not included

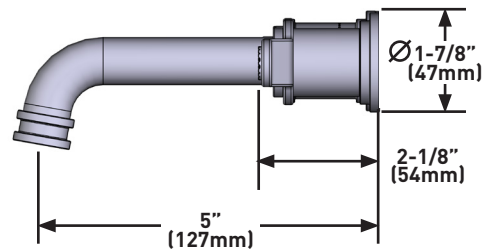
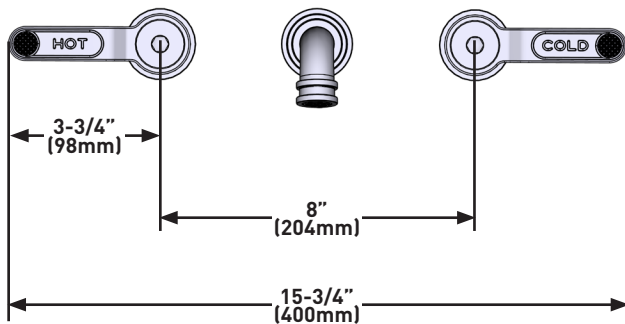
**WARRANTY**

- Visit [www.perrinandrowe.co.uk](http://www.perrinandrowe.co.uk) for more information



## Armstrong™ Wall Mount Lavatory Faucet Trim

**MODELS:** 3620



**For care and cleaning, product warranty, and additional information contact:**

**US Customers**

U.S.A.  
[houseofrohl.com/support](http://houseofrohl.com/support)  
1-800-777-9762

**Canadian Customers**

QUEBEC / MARITIMES / WESTERN CANADA  
QUÉBEC / MARITIMES / OUEST CANADIEN  
QUEBEC / MARITIMOS / CANADA OCCIDENTAL  
[houseofrohl.ca/support](http://houseofrohl.ca/support)  
1-866-473-8442

**EMEA Customers**

UNITED KINGDOM  
[www.perrinandrowe.co.uk](http://www.perrinandrowe.co.uk)  
+44 (0)1708 526361